

Hybrid Adapter



Features:

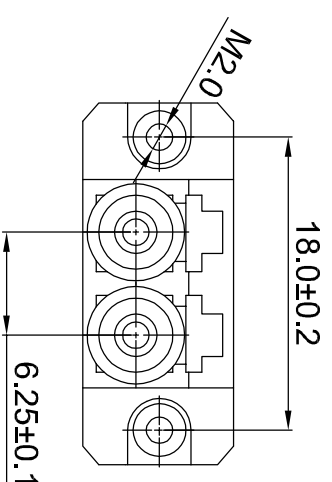
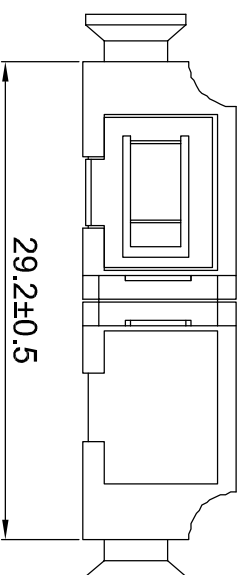
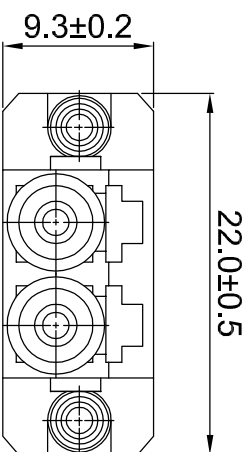
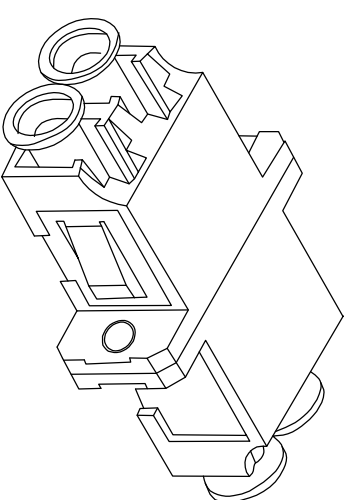
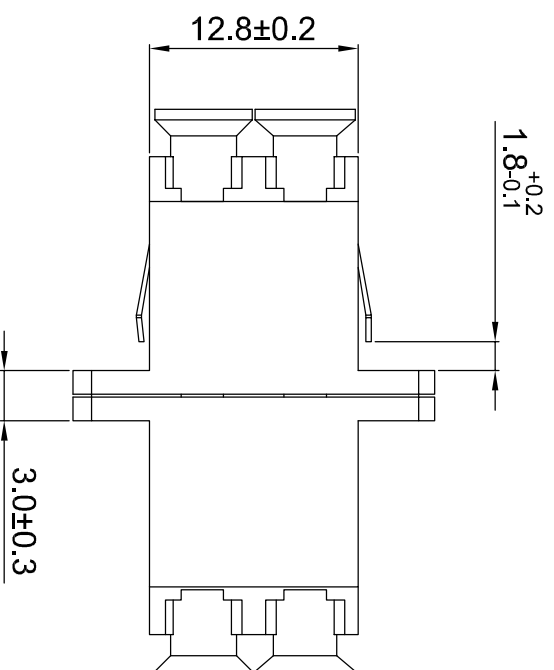
- Discordia,ANSI,TIA/EIA,NTTandJIScompliance.
- Highprecisionalignment.
- Goodrepeatability.
- Goodchangeability.
- Goodtemperaturestabilization.

Application:

- CATV System
- Telecommunications
- Optical Networks
- Testing/Measurement Instruments Fiber Tothe Home

Parameter:


Description:Hybrid Adapter			
Item NO.	Test Item	Unit	Standard & Requirement
1	Insertion Loss (dB)	dB	≤0.20dB
2	Repetitiveness (dB)	dB	≤0.10dB
3	Interchangeability (dB)	dB	≤0.20dB
4	Plug times	times	>500
5	Tensile strength	G	200~600G
6	Operating temperature	Celsius	-40---+85 Celsius
7	Storage temperature	Celsius	-40---+110 Celsius
8	Humidity	Celsius	95%RH (Non-Packaging)

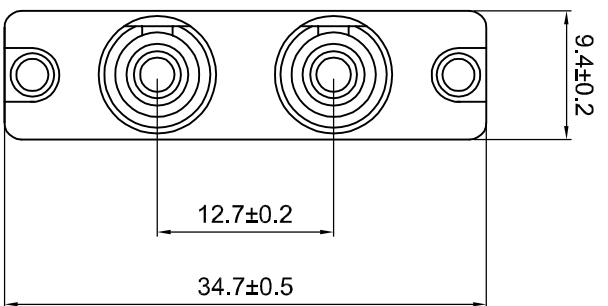
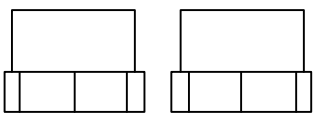
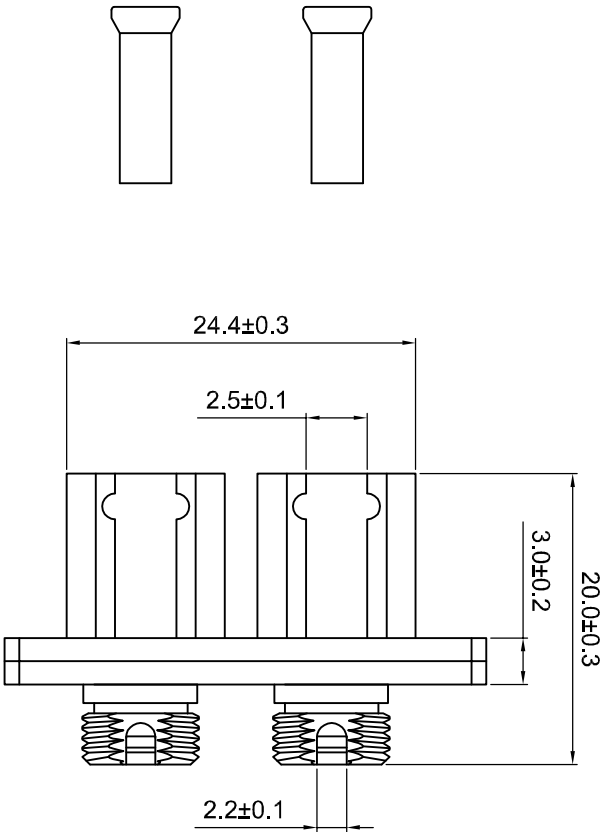
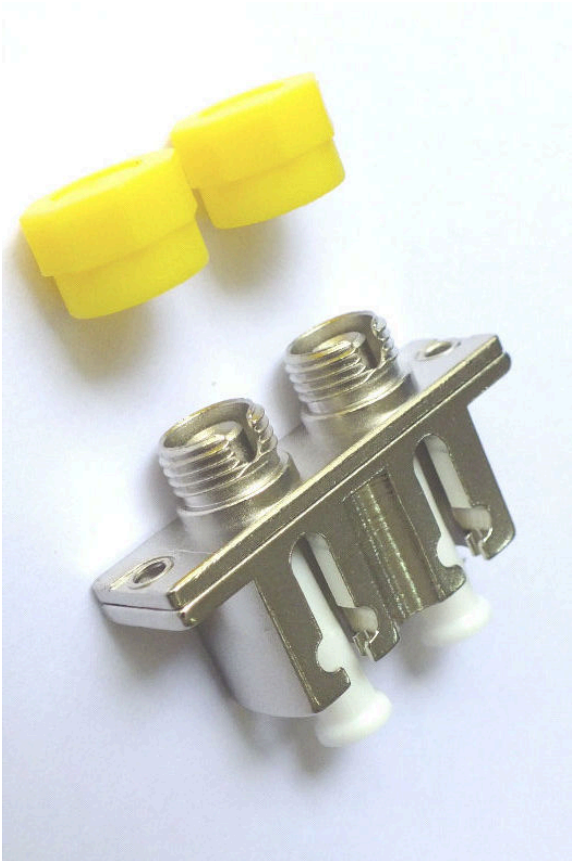


NOTE:

1. Insertion loss Max :0.2dB
2. Insertion loss Typical values:0.1dB
3. LC sleeve material:ZrO₂
4. Operation temperature:-40°C to +85°C
5. LC connector according to IEC 61754-20
6. Durability: 1000 matings
7. Tensile strength:200~600G

**ROHS
Compliant**


		SHEN ZHEN DYS FIBER OPTIC TECHNOLOGY CO.LTD	
Designed by:	Yong Yu	Audit:	Qinua Cheng
Date:	2018-09-13	Approve:	Yong Huang
Unit:	mm	Sheet:	A4
Product Name:	LC Duplex Adapter(Metal housing argent)		
Drawing NO:	DYS-SOP-ED-180913-02-V3		

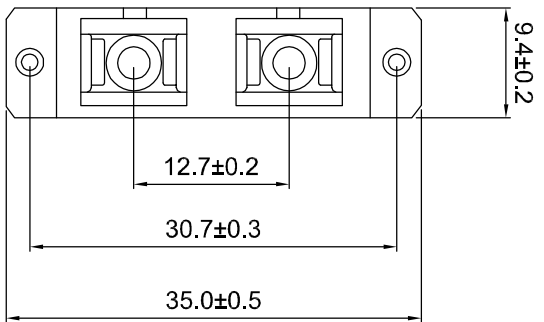
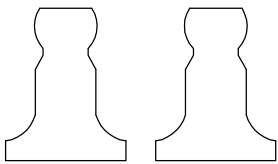
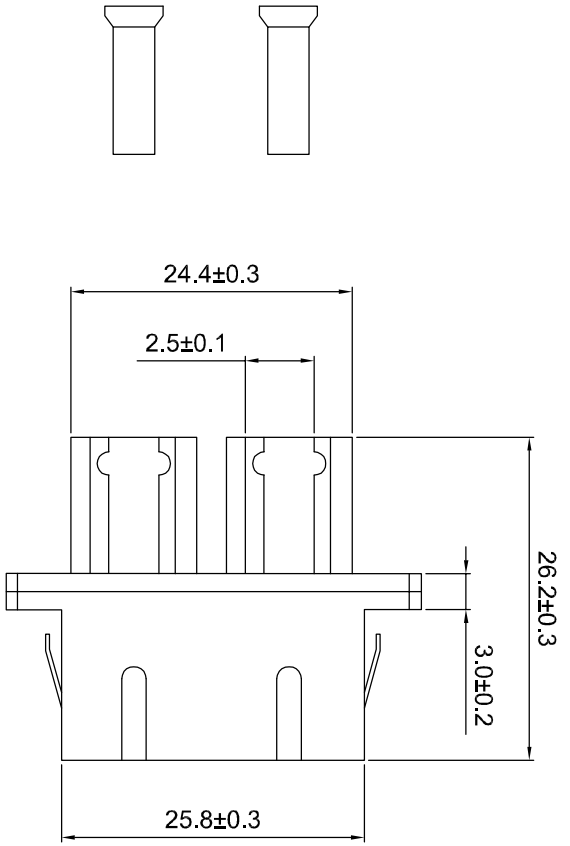
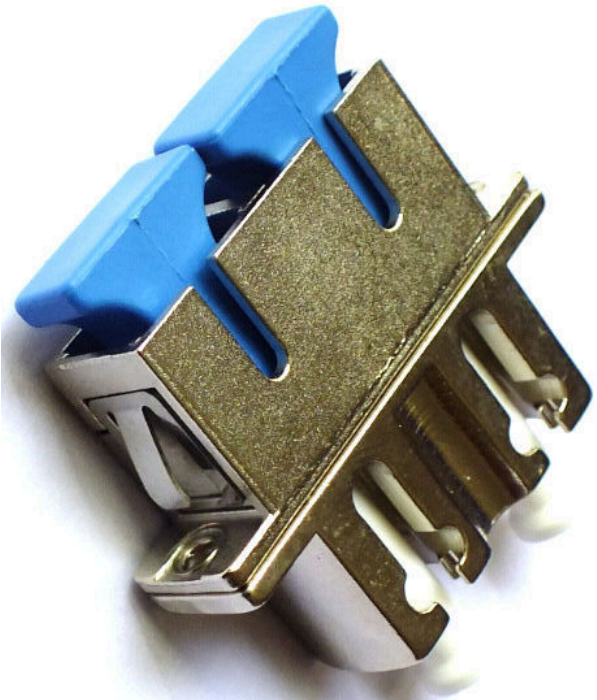


NOTE:

1. Insertion loss Max :0.2dB
2. Insertion loss Typical values:0.1dB
3. Sleeve material: ZrO₂
4. Operation temperature: -40°C to +85°C
5. LC connector according to IEC 61754-20
6. FC connector according to IEC 61754-13
7. Durability: 1000 matings
7. Tensile strength: 200~600G

RoHS
Compliant


 SHEN ZHEN DYS FIBER OPTIC TECHNOLOGY CO.LTD			
Designed by:	Yong Yu	Audit:	Qihua Cheng
Date:	2018-07-20	Approve:	Yong Huang
Unit:	mm	Sheet:	A4
Product Name:	LC-FC duplex Metal flange adaptor		
Drawing NO:	DYS-SOP-ED-180720-01-V1		

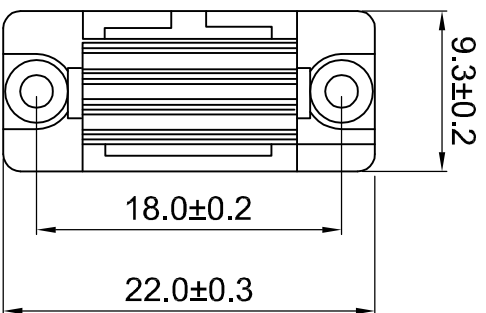
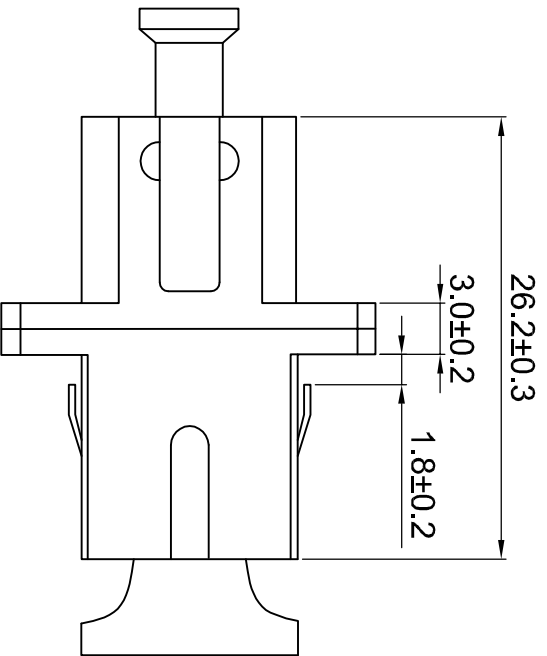
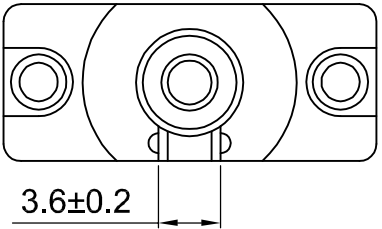


NOTE:

- 1.Insertion loss Max :0.2dB
- 2.Insertion loss Typical values:0.1dB
- 3.Sleeve material:ZrO₂
- 4.Operation temperature:-40°C to +85°C
- 5.SC connector according to IEC 61754-4
- 6.LC connector according to IEC 61754-20
- 7.Durability:1000 matings
7. Tensile strength:200~600G


**RoHS
Compliant**

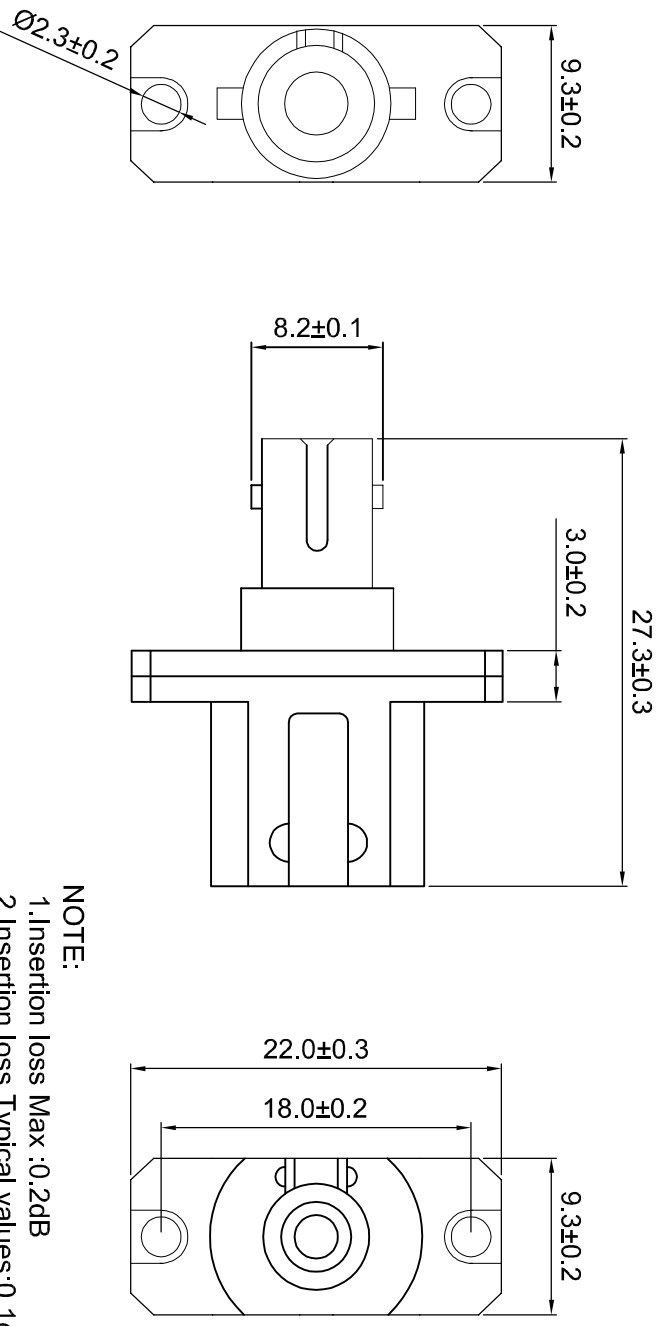
		SHEN ZHEN DYS FIBER OPTIC TECHNOLOGY CO.LTD	
Designed by:	Yong Yu	Audit:	Qihua Cheng
Date:	2018-07-20	Approve:	Yong Huang
Unit:	mm	Sheet:	A4
Product Name:	LC-SC duplex Metal flange adaptor		
Drawing NO:	DYS-SOP-ED-180720-02-V1		



NOTE:


1. Insertion loss Max :0.2dB
2. Insertion loss Typical values:0.1dB
3. Sleeve material:ZrO₂
4. Operation temperature:-40°C to +85°C
5. LC connector according to IEC 61754-20
6. SC connector according to IEC 61754-4
7. Durability: 1000 matings
7. Tensile strength:200~600G

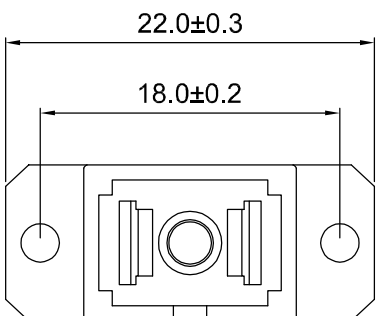
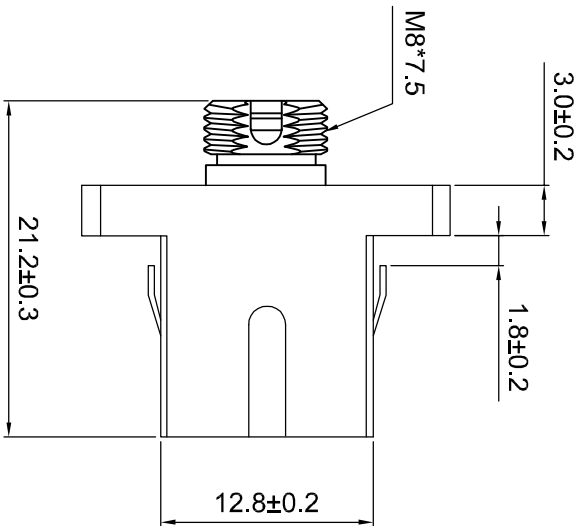
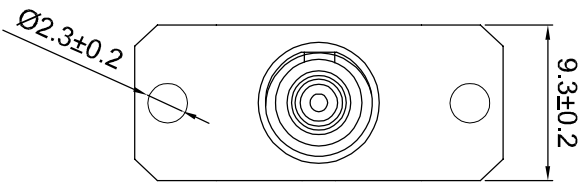
 SHEN ZHEN DYS FIBER OPTIC TECHNOLOGY CO.,LTD			
Designed by:	Yong Yu	Audit:	Qihua Cheng
Date:	2017-10-27	Approve:	Yong Huang
Unit:	mm	Sheet:	A4
Product Name:	LC-SC Metal flange adaptor		
Drawing NO:	DYS-SOP-ED-171027-15-V1		



- NOTE:**
- 1.Insertion loss Max :0.2dB
 - 2.Insertion loss Typical values:0.1dB
 - 3.Sleeve material:ZrO₂
 - 4.Operation temperature:-40°C to +85°C
 - 5.LC connector according to IEC 61754-20
 - 6.Durability: 1000 matings
 - 7.Tensile strength:200~600G

**ROHS
Compliant**


		SHEN ZHEN DYS FIBER OPTIC TECHNOLOGY CO.LTD	
Designed by:	Yong Yu	Audit:	Qihua Cheng
Date:	2017-10-27	Approve:	Yong Huang
Unit:	mm	Sheet:	A4
Product Name:	LC-ST Metal Flange adaptor		
Drawing NO:	DYS-SOP-ED-171027-13-V1		

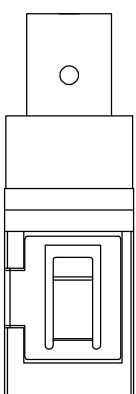
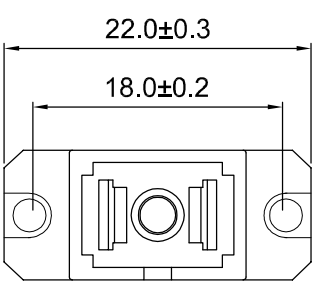
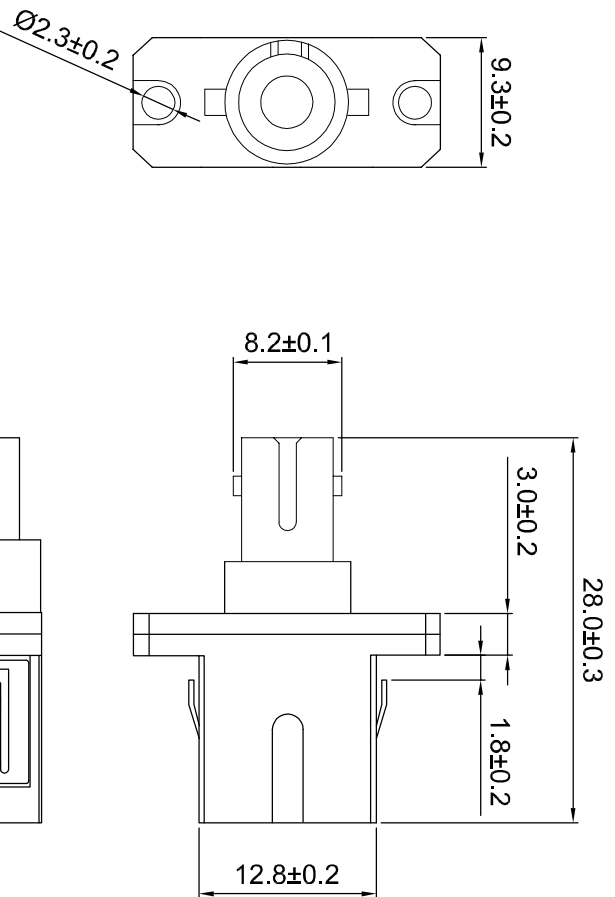


NOTE:

1. Insertion loss Max : 0.2dB
2. Insertion loss Typical values: 0.1dB
3. Sleeve material: ZrO₂
4. Operation temperature: -40°C to +85°C
5. SC connector according to IEC 61754-4
6. FC connector according to IEC 61754-13
7. Tensile strength: 200~600G

ROHS
Compliant


 SHEN ZHEN DYS FIBER OPTIC TECHNOLOGY CO.LTD			
Designed by:	Yong Yu	Audit:	Qihua Cheng
Date:	2018-07-17	Approve:	Yong Huang
Unit:	mm	Sheet:	A4
Product Name:	SC-FC simplex Metal flange adaptor		
Drawing NO:	DYS-SOP-ED-180717-08-V1		

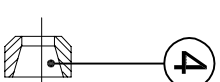
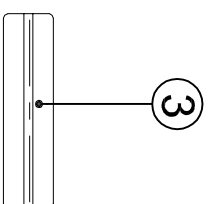
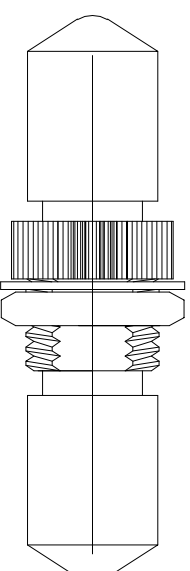
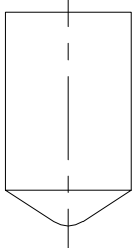
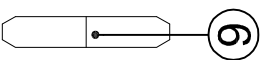
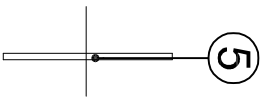
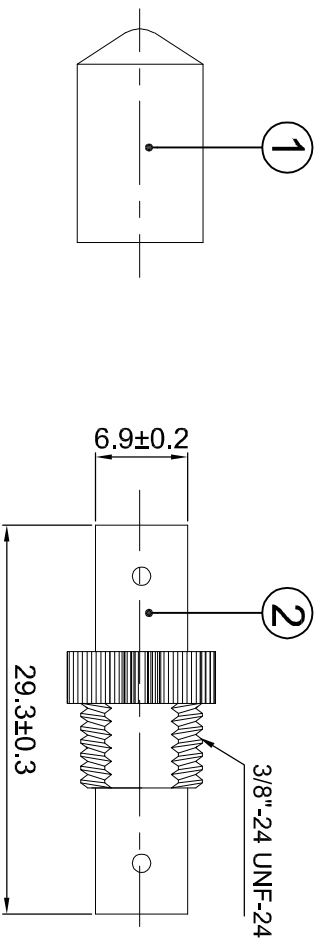


NOTE:

1. Insertion loss Max :0.2dB
2. Insertion loss Typical values:0.1dB
3. Sleeve material:ZrO₂
4. Operation temperature:-40°C to +85°C
5. ST connector according to IEC 61754-2
- . SC connector according to IEC 61754-4
6. Durability: 1000 matings
7. Tensile strength:200~600G

ROHS
Compliant


 SHEN ZHEN DYS FIBER OPTIC TECHNOLOGY CO.LTD			
Designed by:	Yong Yu	Audit:	Qihua Cheng
Date:	2017-10-27	Approve:	Yong Huang
Unit:	mm	Sheet:	A4
Product Name:	SC-ST simplex Metal flange adaptor		
Drawing NO:	DYS-SOP-ED-171027-13-V1		



Number	Part name	Material	QTY	UNIT
①	Dust cover	PVC	1	PCS
②	ST Simplex Body	Metal	1	PCS
③	Sleeve	ZrO ₂	1	PCS
④	Push	Metal	1	PCS
⑤	Washer	Metal	1	PCS
⑥	Nut	Metal	1	PCS

- NOTE:**
- 1.Insertion loss Max : 0.2dB
 - 2.Insertion loss Typical values:0.1dB
 - 3.Operation temperature:-40°C to +85°C
 - 4.ST connector according to IEC 61754-2
 - 5.Durability:1000 matings
 6. Tensile strength:200~600G

**ROHS
Compliant**

		SHEN ZHEN DYS FIBER OPTIC TECHNOLOGY CO.LTD	
Designed by:	Yong Yu	Audit:	Qihua Cheng
Date:	2017-10-27	Approve:	Yong Huang
Unit:	mm	Sheet:	A4
Product Name:	ST Simplex Metal Adapter (Round shape)		
Drawing NO:	DYS-SOP-ED-171027-05-V1		